

# Attachment E



## Invoice

Key Code Media, Inc.  
 270 S. Flower Street  
 Burbank, CA 91502  
 United States of America  
 REMIT TO EMAIL: ARBILLING@KEYCODEMEDIA.COM

Reference No.: [REDACTED]  
 Date: 31-Jul-2024  
 Due Date: 30-Aug-2024  
 Customer ID: C128585  
 Currency: USD

BILL TO:		SHIP TO:	
State of Nebraska 1800 N 33rd St Lincoln NE 68503-1409 United States of America Attn: Accounts Payable		Nebraska Educational Television PBS 1800 N 33rd St Lincoln NE 68503-1409 United States of America Attn: Chad Mayer [REDACTED]	

CUSTOMER REF. NUMBER	TERMS	CONTACT
4800018517	Net 30 Days, PO Required	

SO TYPE	SO NUMBER	SHIPMENT NUMBER	PROJECT NUMBER	QUOTE NUMBER
SO	SO0015472	025161	OS29584Nebraska Public Media PBS	

NO.	ITEM	QTY.	UOM	UNIT PRICE	DISC.	EXTENDED PRICE
1	NTFREIGHT: Shipping by Common Carrier - Dropship	1.00	EA	0.0000	0%	0.00

Serial Number:

SO TYPE	SO NUMBER	SHIPMENT NUMBER	PROJECT NUMBER	QUOTE NUMBER
SO	SO0015472	150792	OS29584Nebraska Public Media PBS	

NO.	ITEM	QTY.	UOM	UNIT PRICE	DISC.	EXTENDED PRICE
2	DESK: DESK Vista X32 Fader Audio Console, Gooseneck talk back mic, dust cover for X32 Fader Includes: 1- Vista X 32 fader audio console; 1- Gooseneck for Talk Back Microphone GN15E AKG; 1- Talk Back Microphone CK31- AKG; 1- Dust Cover Vista X 32 Fader (1446	1.00	EA	[REDACTED]	[REDACTED]	[REDACTED]

Serial Number:

3	5044427: Vista X 32 fader audio console	1.00	EA	0.0000	0%	0.00
---	---	------	----	--------	----	------

Serial Number:

4	C089.013454: Gooseneck for Talk Back Microphone GN15E AKG	1.00	EA	0.0000	0%	0.00
---	---	------	----	--------	----	------

Serial Number:

5	C089.013453: Talk Back Microphone CK31- AKG	1.00	EA	0.0000	0%	0.00
---	---	------	----	--------	----	------

Serial Number:

6	VISTAX-32-COVER: Dust Cover Vista X 32 Fader (1446mm) black	1.00	EA	0.0000	0%	0.00
---	---	------	----	--------	----	------

Serial Number:

7	CORES: CORES CBL-MTP-LC8-MM-5M, INFINITY-ST-550Q, QSFP10G-MM-A, 5048287, 5048288 Includes: 4- CBL-MTP-LC8-MM-5M; 2- INFINITY-ST-550Q; 4- QSFP10G-MM-A; 1-Panel 1U with cable feedthrough (guide); 1 - Panel 1U with cable feedthrough (blind)	1.00	EA	[REDACTED]	[REDACTED]	[REDACTED]
---	---	------	----	------------	------------	------------



# Invoice

Key Code Media, Inc.  
 270 S. Flower Street  
 Burbank, CA 91502  
 United States of America  
 REMIT TO EMAIL: ARBILLING@KEYCODEMEDIA.COM

Reference No.: [REDACTED]  
 Date: 31-Jul-2024  
 Due Date: 30-Aug-2024  
 Customer ID: C128585  
 Currency: USD

BILL TO:	SHIP TO:
State of Nebraska 1800 N 33rd St Lincoln NE 68503-1409 United States of America Attn: Accounts Payable	Nebraska Educational Television PBS 1800 N 33rd St Lincoln NE 68503-1409 United States of America Attn: Chad Mayer [REDACTED]

CUSTOMER REF. NUMBER	TERMS	CONTACT		
4800018517	Net 30 Days, PO Required			
SO TYPE	SO NUMBER	SHIPMENT NUMBER	PROJECT NUMBER	QUOTE NUMBER
SO	SO0015472	150792	OS29584Nebraska Public Media PBS	

	Serial Number:					
8	CBL-MTP-LC8-MM-5M: MTP/UPC to 8xLC/ UPC 5m multimode OM4 breakout cable	4.00	EA	0.0000	0%	0.00
	Serial Number:					
9	INFINITY-ST-550Q: Infinity Core shallow depth 2RU server hardware with the software package to support 550 MEQ processing channels with 2 QSFP ports that can support up to 7 A-Link connections and an optional software key to enable 2110 audio with PTP timing. QSFPs and	2.00	EA	0.0000	0%	0.00
	Serial Number:					
10	QSFP10G-MM-A: 40G QSFP, 4 channel 850nm Multimode.	4.00	EA	0.0000	0%	0.00
	Serial Number:					
11	5048287: Panel 1U with cable feedthrough (guide)	1.00	EA	0.0000	0%	0.00
	Serial Number:					
12	5048288: Panel 1U with cable feedthrough (blind)	1.00	EA	0.0000	0%	0.00
	Serial Number:					
13	D23M #1 FRAME: EVERTZ IO Frame (Audio Control Room)	1.00	EA	[REDACTED]	[REDACTED]	[REDACTED]
	Serial Number:					
14	5040684: D23m Mech. Frame empty	1.00	EA	0.0000	0%	0.00
	Serial Number:					
15	5078166: D23m A-Link HD Card	1.00	EA	0.0000	0%	0.00
	Serial Number:					
16	A949.059900: Air deflector panel 1U	1.00	EA	0.0000	0%	0.00
	Serial Number:					



# Invoice

**Reference No.:** [REDACTED]  
**Date:** 31-Jul-2024  
**Due Date:** 30-Aug-2024  
**Customer ID:** C128585  
**Currency:** USD

Key Code Media, Inc.  
 270 S. Flower Street  
 Burbank, CA 91502  
 United States of America  
 REMIT TO EMAIL: ARBILLING@KEYCODEMEDIA.COM

BILL TO:	SHIP TO:
State of Nebraska 1800 N 33rd St Lincoln NE 68503-1409 United States of America Attn: Accounts Payable	Nebraska Educational Television PBS 1800 N 33rd St Lincoln NE 68503-1409 United States of America Attn: Chad Mayer [REDACTED]

CUSTOMER REF. NUMBER	TERMS	CONTACT
4800018517	Net 30 Days, PO Required	

SO TYPE	SO NUMBER	SHIPMENT NUMBER	PROJECT NUMBER	QUOTE NUMBER
SO	SO0015472	150792	OS29584Nebraska Public Media PBS	

#	Description	QTY	UNIT	PRICE	DISC	AMOUNT
17	5031375: Fan unit 1U- 4 fans Serial Number:	1.00	EA	0.0000	0%	0.00
18	C089.201167: Cable Fan power 0.5m D15f-D15m D21m Serial Number:	1.00	EA	0.0000	0%	0.00
19	5048287: Panel 1U with cable feedthrough (guide) Serial Number:	1.00	EA	0.0000	0%	0.00
20	5048288: Panel 1U with cable feedthrough (blind) Serial Number:	1.00	EA	0.0000	0%	0.00
21	5042823: SFP Module - Multi Mode - 850nm - duplex LC - 4.25GB Serial Number:	2.00	EA	0.0000	0%	0.00
22	5037379-01: D23m Secondary Power Supply Serial Number:	2.00	EA	0.0000	0%	0.00
23	5045305-03: D23m Quad MADI-IO Board (HUB) SFP Serial Number:	1.00	EA	[REDACTED]	[REDACTED]	[REDACTED]
24	5050474: SFP Module - Multi Mode -1310nm - LC 155Mbps (for MADI) Serial Number:	1.00	EA	[REDACTED]	[REDACTED]	[REDACTED]
25	5050475: SFP Module - Single Mode -1310nm - LC 155Mbps (for MADI) Serial Number:	6.00	EA	[REDACTED]	[REDACTED]	[REDACTED]
26	A949.042182: D21m 8 Ch analogue Input Board Serial Number:	2.00	EA	[REDACTED]	[REDACTED]	[REDACTED]
27	A949.042084: D21m 8ch analogue Output Boarc Serial Number:	2.00	EA	[REDACTED]	[REDACTED]	[REDACTED]



# Invoice

Key Code Media, Inc.  
 270 S. Flower Street  
 Burbank, CA 91502  
 United States of America  
 REMIT TO EMAIL: ARBILLING@KEYCODEMEDIA.COM

Reference No.: [REDACTED]  
 Date: 31-Jul-2024  
 Due Date: 30-Aug-2024  
 Customer ID: C128585  
 Currency: USD

BILL TO:	SHIP TO:
State of Nebraska 1800 N 33rd St Lincoln NE 68503-1409 United States of America Attn: Accounts Payable	Nebraska Educational Television PBS 1800 N 33rd St Lincoln NE 68503-1409 United States of America Attn: Chad Mayer [REDACTED]

CUSTOMER REF. NUMBER	TERMS	CONTACT		
4800018517	Net 30 Days, PO Required			
SO TYPE	SO NUMBER	SHIPMENT NUMBER	PROJECT NUMBER	QUOTE NUMBER
SO	SO0015472	150792	OS29584Nebraska Public Media PBS	

28	Serial Number: A949.042382: D21m 8 AES/EBU I/O Board M1 (Inp with SFC)	2.00	EA	[REDACTED]	[REDACTED]	[REDACTED]
29	Serial Number: 5045044-02: D21m Dante Card	1.00	EA	[REDACTED]	[REDACTED]	[REDACTED]
30	Serial Number: 5042095: D23m Ethernet Card for Control	1.00	EA	[REDACTED]	[REDACTED]	[REDACTED]
31	Serial Number: D23M #2 IO: EVERTZ D23m #2 IO Frame (Video Control Room)	1.00	EA	[REDACTED]	[REDACTED]	[REDACTED]
32	Serial Number: 5040684: D23m Mech. Frame empty	1.00	EA	0.0000	0%	0.00
33	Serial Number: 5078166: D23m A-Link HD Card	1.00	EA	0.0000	0%	0.00
34	Serial Number: A949.059900: Air deflector panel 1U	1.00	EA	0.0000	0%	0.00
35	Serial Number: 5031375: Fan unit 1U- 4 fans	1.00	EA	0.0000	0%	0.00
36	Serial Number: C089.201167: Cable Fan power 0.5m D15f- D15m D21m	1.00	EA	0.0000	0%	0.00
37	Serial Number: 5048287: Panel 1U with cable feedthrough (guide)	1.00	EA	0.0000	0%	0.00
38	Serial Number: 5048288: Panel 1U with cable feedthrough (blind)	1.00	EA	0.0000	0%	0.00
	Serial Number:					



# Invoice

Key Code Media, Inc.  
 270 S. Flower Street  
 Burbank, CA 91502  
 United States of America  
 REMIT TO EMAIL: ARBILLING@KEYCODEMEDIA.COM

Reference No.: [REDACTED]  
 Date: 31-Jul-2024  
 Due Date: 30-Aug-2024  
 Customer ID: C128585  
 Currency: USD

BILL TO:	SHIP TO:
State of Nebraska 1800 N 33rd St Lincoln NE 68503-1409 United States of America Attn: Accounts Payable	Nebraska Educational Television PBS 1800 N 33rd St Lincoln NE 68503-1409 United States of America Attn: Chad Mayer [REDACTED]

CUSTOMER REF. NUMBER	TERMS	CONTACT
4800018517	Net 30 Days, PO Required	

SO TYPE	SO NUMBER	SHIPMENT NUMBER	PROJECT NUMBER	QUOTE NUMBER
SO	SO0015472	150792	OS29584Nebraska Public Media PBS	

39	5042823: SFP Module - Multi Mode - 850nm - duplex LC - 4.25GB	2.00	EA	0.0000	0%	0.00
	Serial Number:					
40	5037379-01: D23m Secondary Power Supply	2.00	EA	0.0000	0%	0.00
	Serial Number:					
41	C049.020534: Front Panel Blank 4TE	6.00	EA	0.0000	0%	0.00
	Serial Number:					
42	5045304-03: D23m Dual MADI-IO Board (HUB) SFP	1.00	EA	[REDACTED]	[REDACTED]	[REDACTED]
	Serial Number:					
43	5050481: SFP Module - Copper - duplex - HD BNC 2.97Gbps (for MADI)	4.00	EA	[REDACTED]	[REDACTED]	[REDACTED]
	Serial Number:					
44	A949.042382: D21m 8 AES/EBU I/O Board M1 (Inp with SFC)	2.00	EA	[REDACTED]	[REDACTED]	[REDACTED]
	Serial Number:					
45	5042095: D23m Ethernet Card for Control	1.00	EA	[REDACTED]	[REDACTED]	[REDACTED]
	Serial Number:					
46	D21M IO: D21m IO Frame (Studio - East Wall) Includes: 1- D21m Mech. Frame with Assembly Backplane and LED/PSII; 2- D21m Power Supply 200W; 1- D21m MADI-HD Board (I/O Frame) Single Mode; 1- Air deflector panel 1U; 1- Fan unit 1U- 4 fans; 1 - Cable Fan	1.00	EA	[REDACTED]	[REDACTED]	[REDACTED]
	Serial Number:					
47	A949.040584: D21m Mech. Frame with Assembly Backplane and LED/PSII	1.00	EA	0.0000	0%	0.00
	Serial Number:					
48	A949.040400: D21m Power Supply 200W	2.00	EA	0.0000	0%	0.00



# Invoice

Key Code Media, Inc.  
 270 S. Flower Street  
 Burbank, CA 91502  
 United States of America  
 REMIT TO EMAIL: ARBILLING@KEYCODEMEDIA.COM

Reference No.: [REDACTED]  
 Date: 31-Jul-2024  
 Due Date: 30-Aug-2024  
 Customer ID: C128585  
 Currency: USD

BILL TO:	SHIP TO:
State of Nebraska 1800 N 33rd St Lincoln NE 68503-1409 United States of America Attn: Accounts Payable	Nebraska Educational Television PBS 1800 N 33rd St Lincoln NE 68503-1409 United States of America Attn: Chad Mayer [REDACTED]

CUSTOMER REF. NUMBER	TERMS	CONTACT		
4800018517	Net 30 Days, PO Required			
SO TYPE	SO NUMBER	SHIPMENT NUMBER	PROJECT NUMBER	QUOTE NUMBER
SO	SO0015472	150792	OS29584Nebraska Public Media PBS	

	Serial Number:					
49	BA-A949.041332-01-REV1: D21m MADI-HD Board (I/O Frame) Single Mode	1.00	EA	0.0000	0%	0.00
	Serial Number:					
50	A949.059900: Air deflector panel 1U	1.00	EA	0.0000	0%	0.00
	Serial Number:					
51	5031375: Fan unit 1U- 4 fans	1.00	EA	0.0000	0%	0.00
	Serial Number:					
52	C089.201167: Cable Fan power 0.5m D15f-D15m D21m	1.00	EA	0.0000	0%	0.00
	Serial Number:					
53	5048287: Panel 1U with cable feedthrough (guide)	1.00	EA	0.0000	0%	0.00
	Serial Number:					
54	5048288: Panel 1U with cable feedthrough (blind)	1.00	EA	0.0000	0%	0.00
	Serial Number:					
55	C049.020534: Front Panel Blank 4TE	5.00	EA	0.0000	0%	0.00
	Serial Number:					
56	A949.042182: D21m 8 Ch analogue Input Board	1.00	EA	[REDACTED]	[REDACTED]	[REDACTED]
	Serial Number:					
57	A949.042084: D21m 8ch analogue Output Board	1.00	EA	[REDACTED]	[REDACTED]	[REDACTED]
	Serial Number:					
58	A949.044723: D21m Microphone Board with 4 Transformer Inputs	6.00	EA	[REDACTED]	[REDACTED]	[REDACTED]
	Serial Number:					



# Invoice

Key Code Media, Inc.  
 270 S. Flower Street  
 Burbank, CA 91502  
 United States of America  
 REMIT TO EMAIL: ARBILLING@KEYCODEMEDIA.COM

Reference No.: [REDACTED]  
 Date: 31-Jul-2024  
 Due Date: 30-Aug-2024  
 Customer ID: C128585  
 Currency: USD

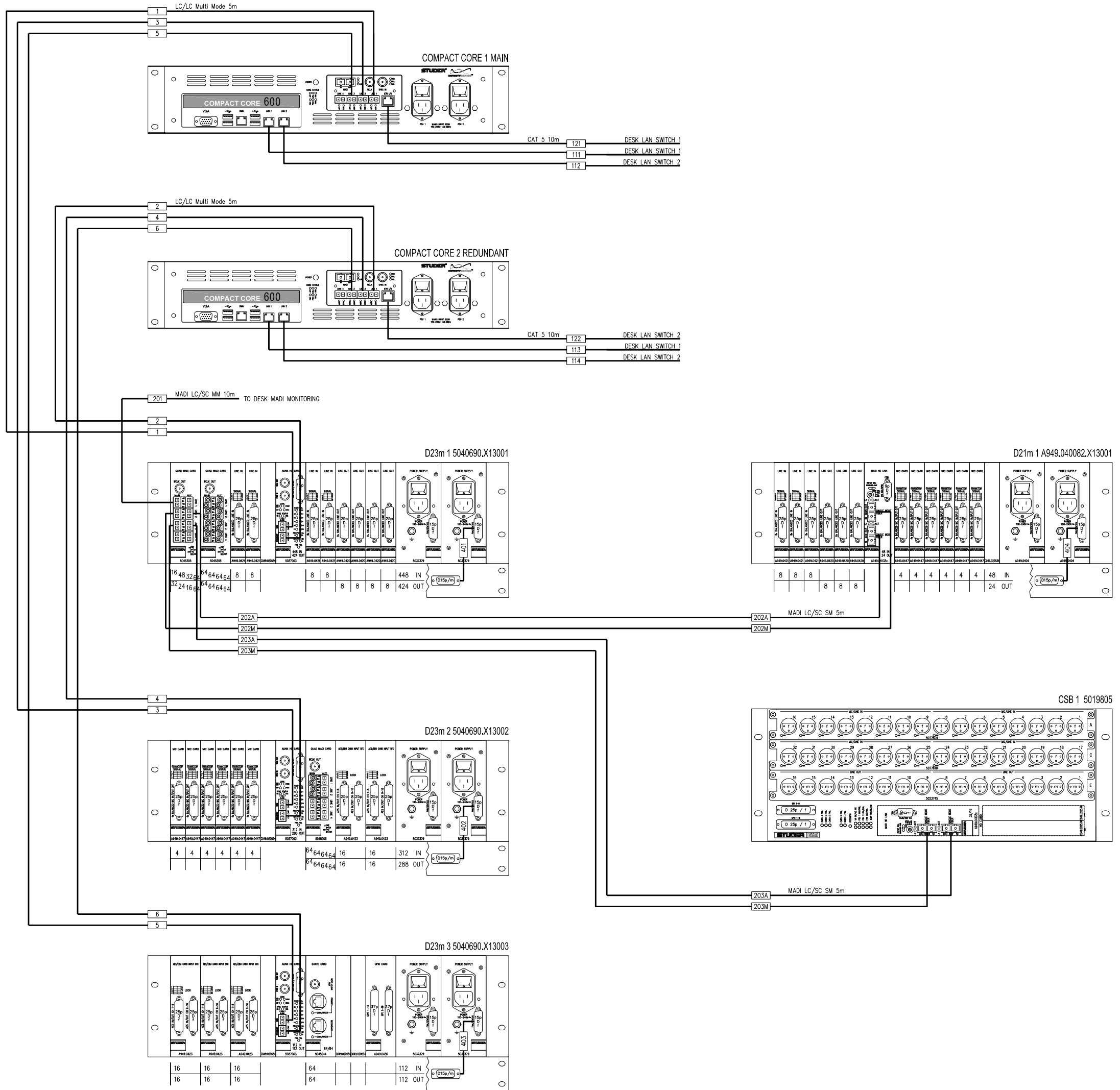
BILL TO:	SHIP TO:
State of Nebraska 1800 N 33rd St Lincoln NE 68503-1409 United States of America Attn: Accounts Payable	Nebraska Educational Television PBS 1800 N 33rd St Lincoln NE 68503-1409 United States of America Attn: Chad Mayer [REDACTED]

CUSTOMER REF. NUMBER	TERMS	CONTACT
4800018517	Net 30 Days, PO Required	

SO TYPE	SO NUMBER	SHIPMENT NUMBER	PROJECT NUMBER	QUOTE NUMBER
SO	SO0015472	150792	OS29584Nebraska Public Media PBS	

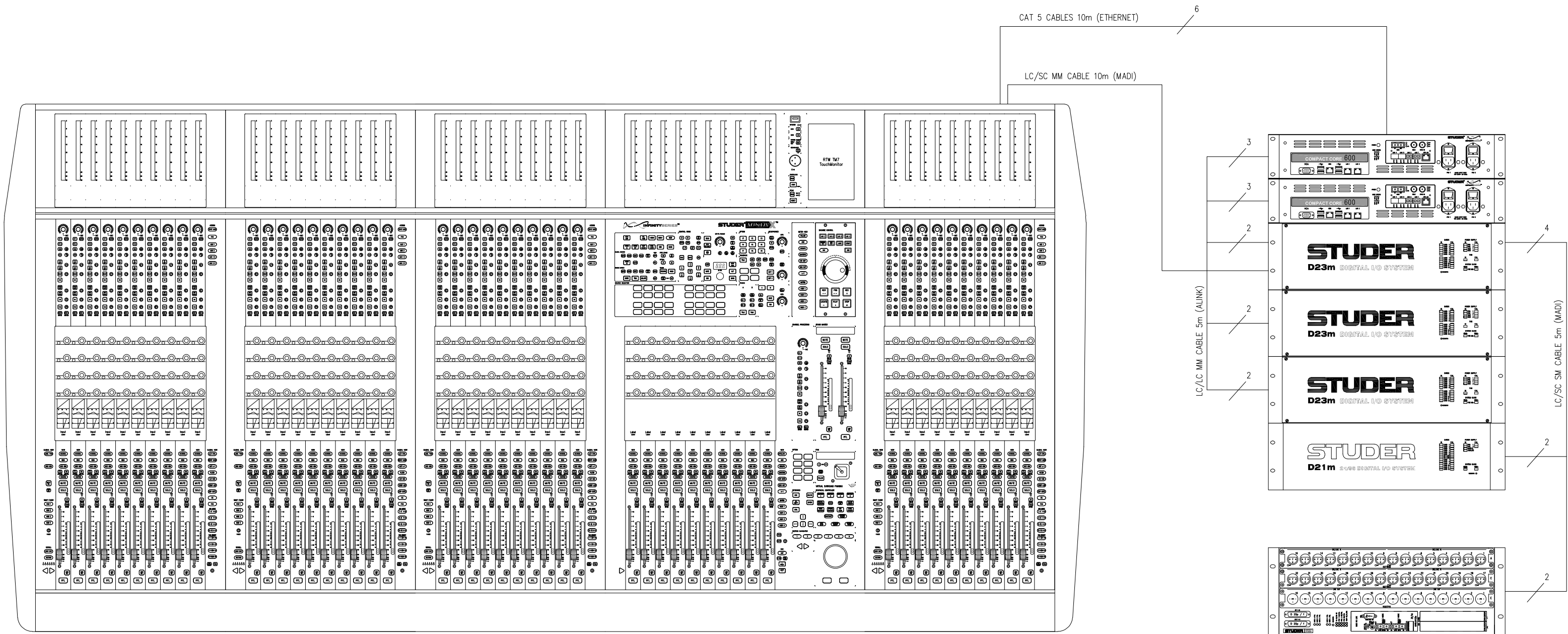
59	EVERTZ CABLES: Single Mode, Multi Mode, TypeB-3Pin Includes: 2 -CB-FP25M-LC/UPC-SC/UPC; 1- CB-LC-SC-DX-OM3-25M; 12 - FJ8045-01  Serial Number:	1.00	EA			
60	CB-FP25M-LC/UPC-SC/UPC: Single Mode Cable - LC/SC - 025m - 9/125 duplex  Serial Number:	2.00	EA	0.0000	0%	0.00
61	CB-LC-SC-DX-OM3-25M: Multi Mode Cable - LC/SC - 025m - 50/125 OM3 - duplex  Serial Number:	1.00	EA	0.0000	0%	0.00
62	FJ8045-01: Type B- 3pin- North and Central America Japan  Serial Number:	12.00	EA	0.0000	0%	0.00

	<table style="width: 100%; border-collapse: collapse;"> <tr> <td style="padding: 2px;"><b>Sales Total:</b></td> <td style="text-align: right; padding: 2px;">[REDACTED]</td> </tr> <tr> <td style="padding: 2px;"><b>Tax Total:</b></td> <td style="text-align: right; padding: 2px;">0.00</td> </tr> <tr> <td style="padding: 2px;"><b>Total (USD):</b></td> <td style="text-align: right; padding: 2px;">[REDACTED]</td> </tr> <tr> <td style="padding: 2px;"><b>Payment Total:</b></td> <td style="text-align: right; padding: 2px;">.00</td> </tr> <tr> <td style="padding: 2px;"><b>Balance Due:</b></td> <td style="text-align: right; padding: 2px;">[REDACTED]</td> </tr> </table>	<b>Sales Total:</b>	[REDACTED]	<b>Tax Total:</b>	0.00	<b>Total (USD):</b>	[REDACTED]	<b>Payment Total:</b>	.00	<b>Balance Due:</b>	[REDACTED]
<b>Sales Total:</b>	[REDACTED]										
<b>Tax Total:</b>	0.00										
<b>Total (USD):</b>	[REDACTED]										
<b>Payment Total:</b>	.00										
<b>Balance Due:</b>	[REDACTED]										



0	01.04.20 ZsR	1	2	3	4
X130L01W	NET TV/University of Nebraska				PAGE 1 OF 1
<b>STUDER</b> by HARMAN	WIRING INFINITY CORE – D23m Vista X				E949.10000.X130

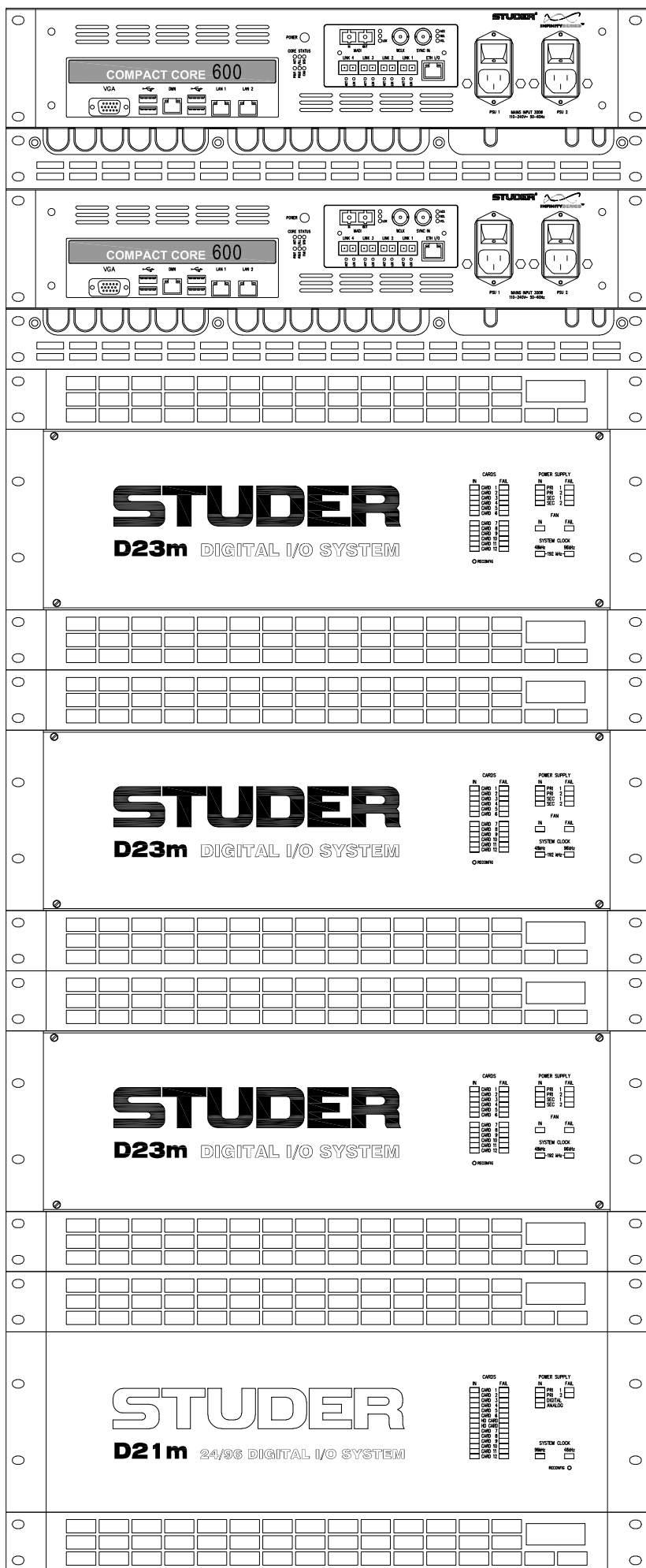




SYSTEM SPECIFICATION

NOMINAL LEVEL: +4 dBu  
 0 dBFS: +24 dBu  
 SAMPLE RATE 48 kHz

① 01.04.20 ZsR	②	③	④
X130L01S	NET TV/University of Nebraska		PAGE 1 OF 1
<b>STUDER</b> by HARMAN	System Overview Vista X		E949.100000.X130



MAIN  
COMPACT CORE 600

CABLE DUCT

REDUNDANT  
COMPACT CORE 600

CABLE DUCT

AIR DEFLECTOR  
A949.059900

D23m 1  
5040690.X13001

FAN UNIT  
5031375

AIR DEFLECTOR  
A949.059900

D23m 2  
5040690.X13002

FAN UNIT  
5031375

AIR DEFLECTOR  
A949.059900

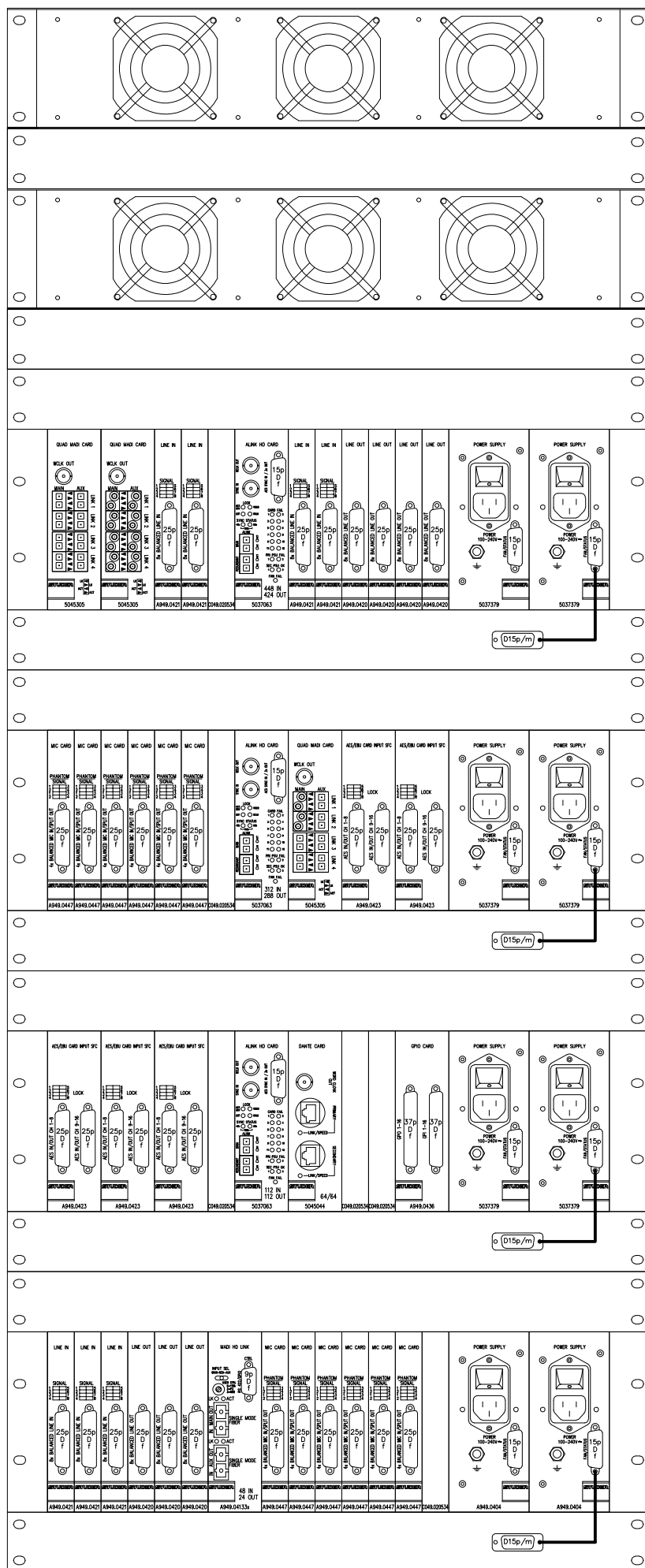
D23m 3  
5040690.X13003

FAN UNIT  
5031375

AIR DEFLECTOR  
A949.059900

D21m 1  
A949.040082.X13001

FAN UNIT  
5031375



25

20

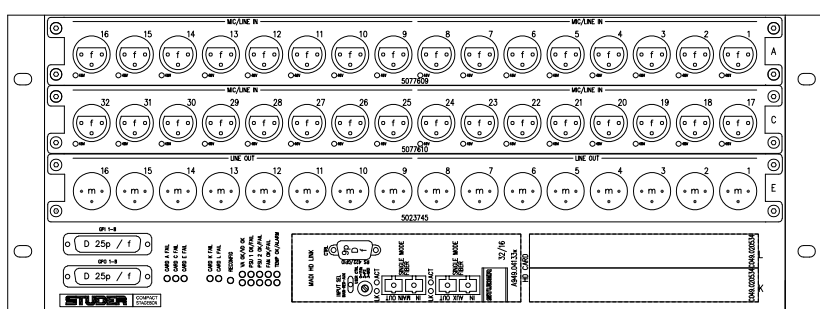
15

10

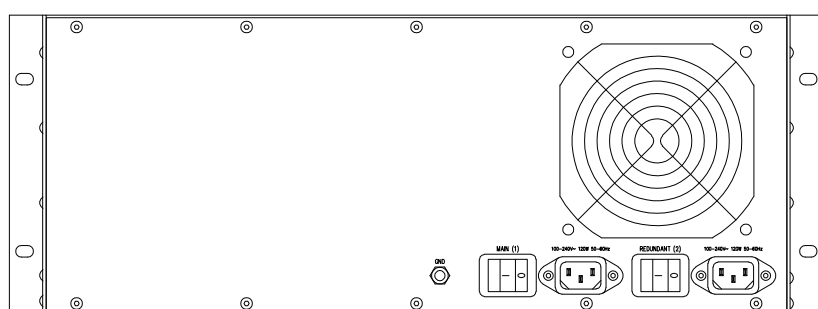
5

0

STAGEBOX 1



CSB 1  
5019805

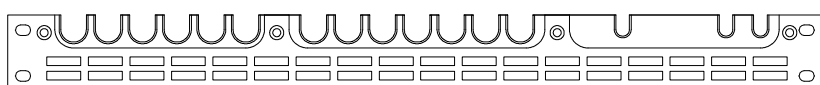


4

0

FRONT

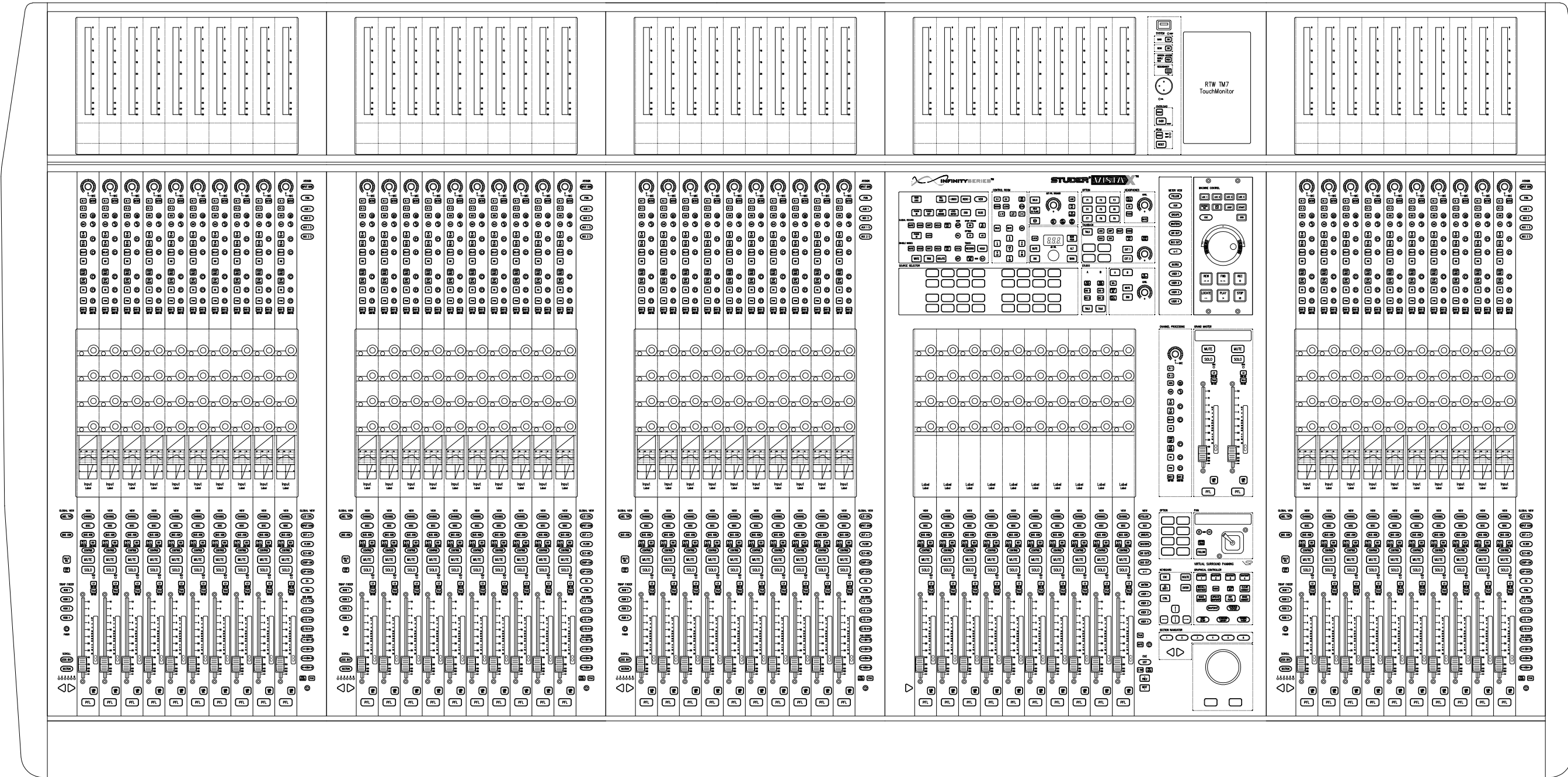
REAR



2x SPARE  
CABLE DUCT



0	01.04.20 ZsR	1		2		3		4
	X130L01R		NET TV/University of Nebraska					PAGE 1 OF 1
	<b>STUDER</b> by HARMAN		RACK UNITS OVERVIEW Vista X					E949.100000.X130



SYSTEM SPECIFICATION  
 NOMINAL LEVEL: +4 dBu  
 0 dBFS: +24 dBu  
 SAMPLE RATE 48 kHz

INCLUDING:  
 TB MIC WITH GOOSENECK  
 MOTORIZED JOYSTICK + HANDLE  
 MACHINE CONTROL MODULE  
 MOVABLE SCRIPT TRAY CONTROL SECTION  
 DUST COVER  
 OVERPRESS FADERS

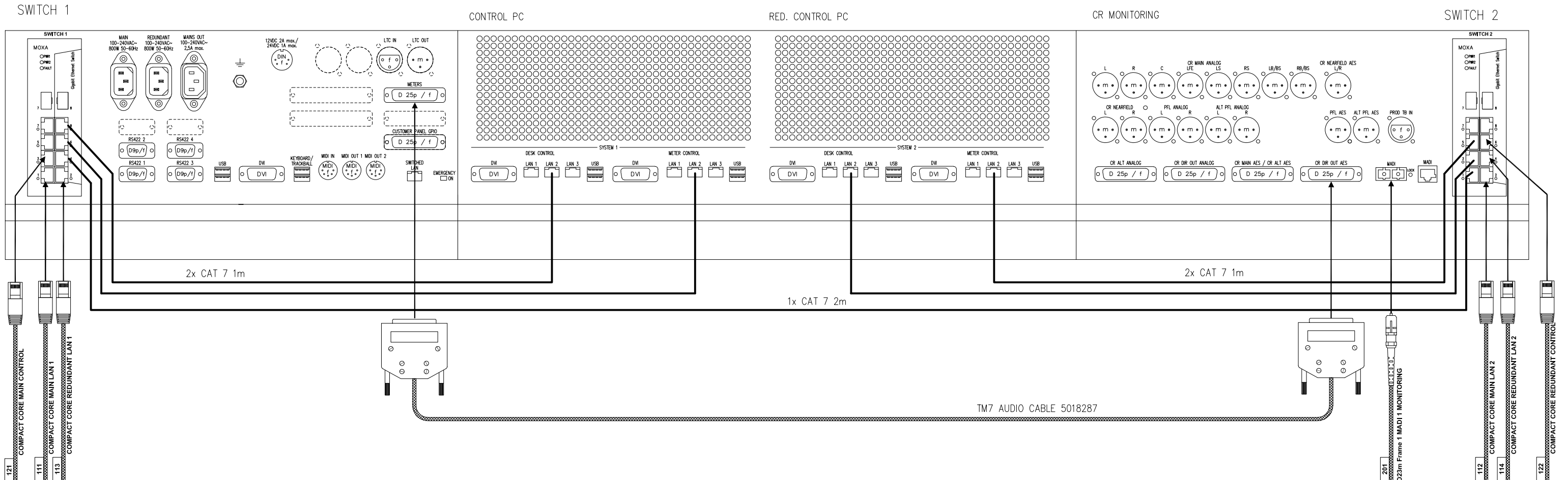
C089.013453 + C089.013454  
 A949.001053 + C058.301002  
 A949.003900  
 A949.036000  
 5044572

0	01.04.20 ZsR	1	2	3	4
	X130L01D		NET TV/University of Nebraska		PAGE 1 OF 1
	<b>STUDER</b> by HARMAN		DESK LAYOUT Vista X-52		E949.100000.X130

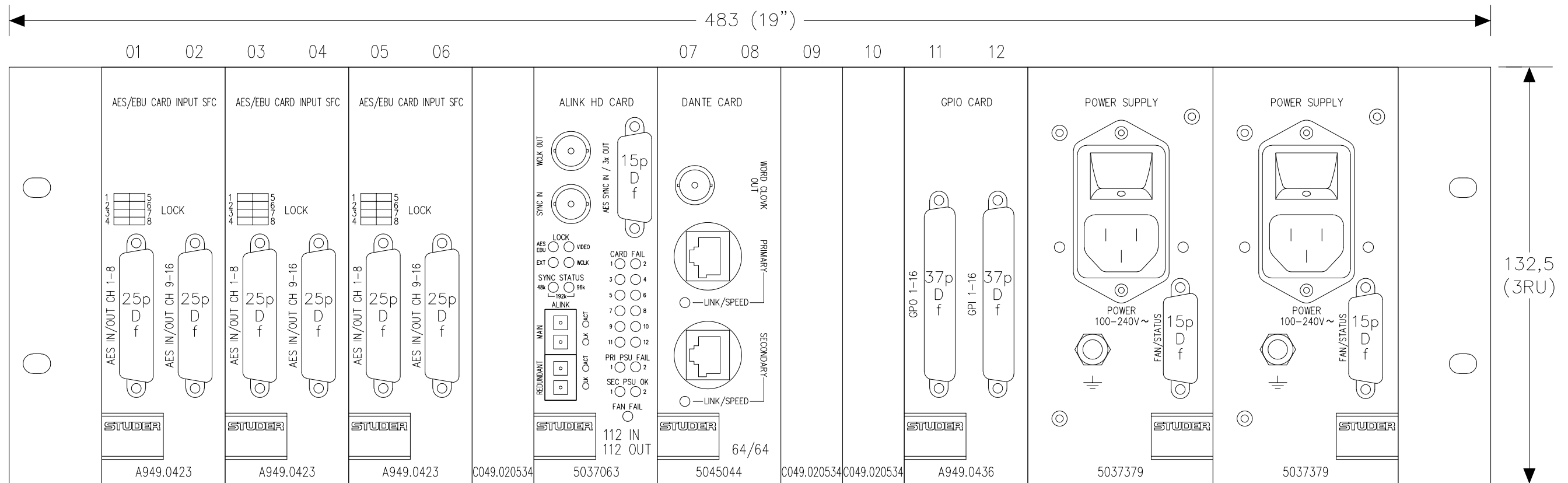
FADER BAY

CONTROL BAY

FADER BAY



0	01.04.20 ZsR	1	2	3	4
	X130L01DW	NET TV/University of Nebraska			PAGE 1 OF 1
<b>STUDER</b> by HARMAN		DESK CONNECTOR PANEL VISTA X-52			E949.100000.X130



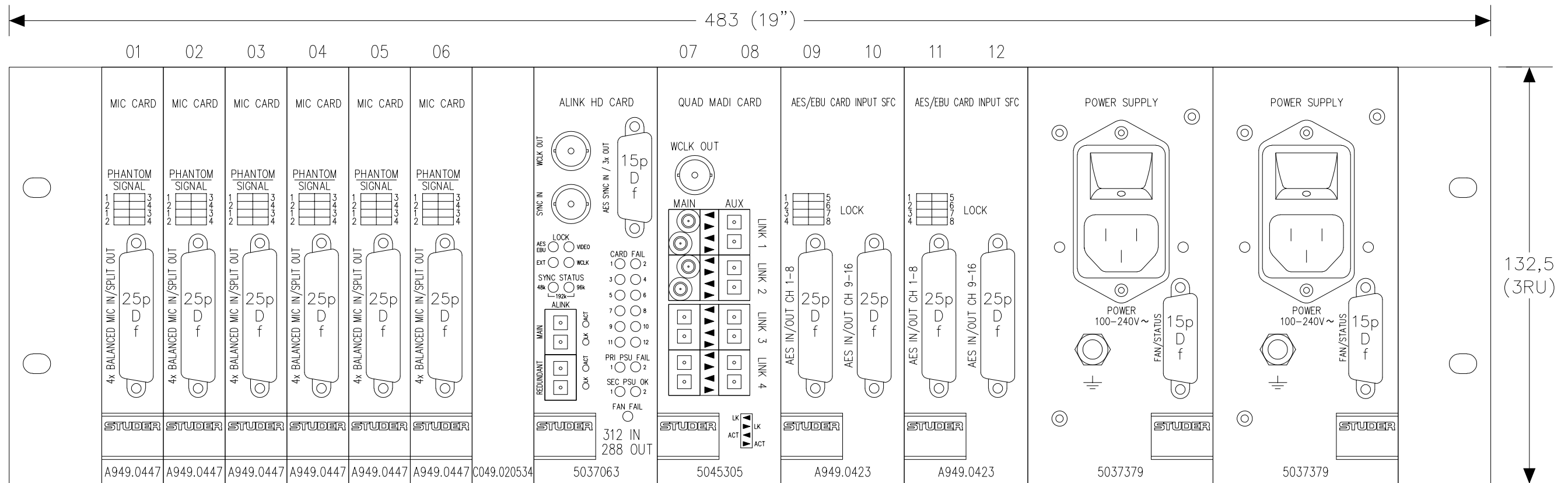
REAR VIEW

FRAME : 5040684

POSITION OF RACK MOUNTING ANGLES:

- CONNECTOR SIDE
- LED SIDE

① 01.04.20 ZsR	②	③	④
X130L51	NET TV/University of Nebraska		PAGE 3 OF 3
<b>STUDER</b> by HARMAN	LAYOUT D23m FRAME 3 Location C Vista X		5040690.X13003



REAR VIEW

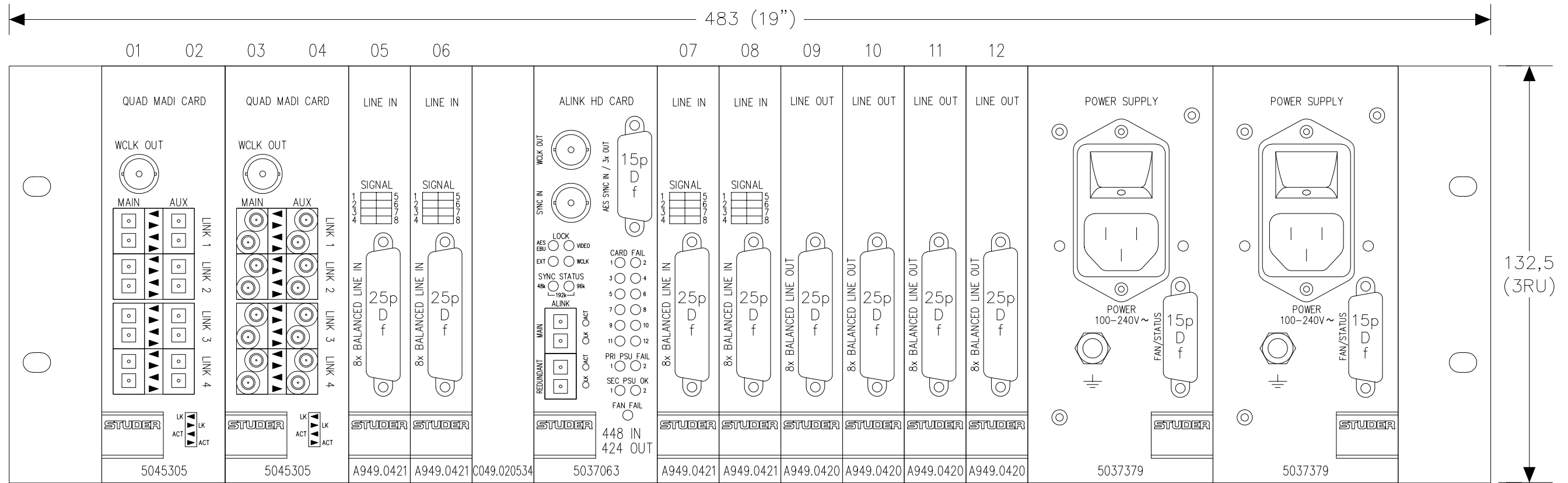
BNC/SM 64/64 - RADAR 1  
 BNC/SM 64/64 - RADAR 2  
 MM 64/64 - SPARE  
 SM 64/64 - SPARE

FRAME : 5040684

POSITION OF RACK MOUNTING ANGLES:

- CONNECTOR SIDE
- LED SIDE

①	②	③	④
01.04.20 ZsR	X130L41	NET TV/University of Nebraska	PAGE 2 OF 3
		LAYOUT D23m FRAME 2 Location B Vista X	5040690.X13002



MM 16/32 - MON. BNC 64/64 - EVS 1  
 SM 48/24 - D21 1 BNC 64/64 - EVS 2  
 SM 32/16 - CSB 1 BNC 64/64 - EVS 3  
 MM 64/64 - SPARE BNC 64/64 - EVS 4

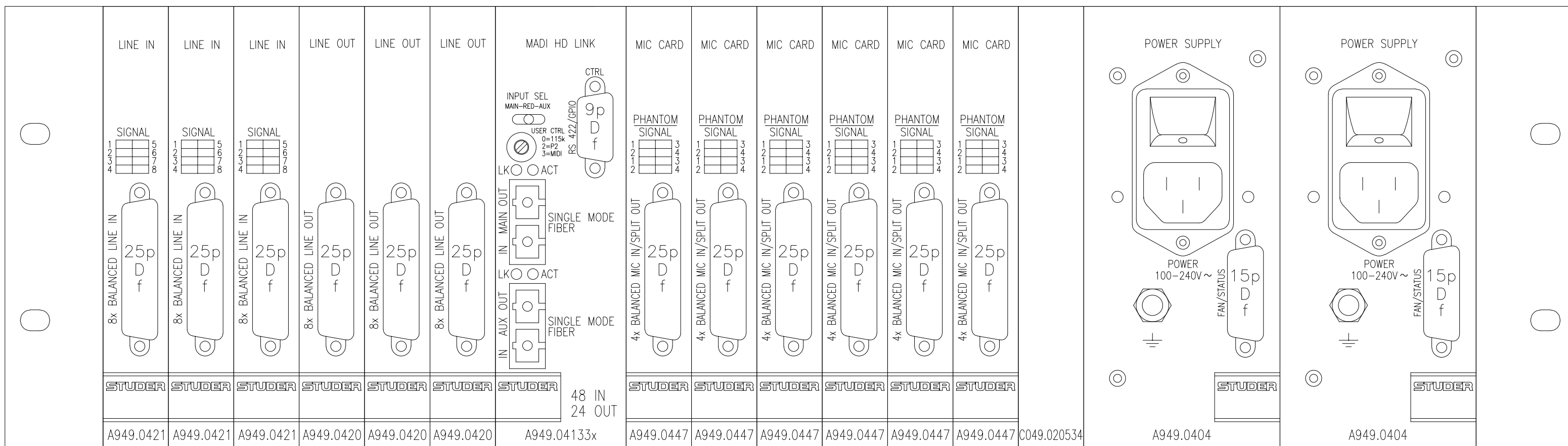
REAR VIEW

FRAME : 5040684

POSITION OF RACK MOUNTING ANGLES:

- CONNECTOR SIDE
- LED SIDE

① 01.04.20 ZsR	②	③	④
X130L31	NET TV/University of Nebraska		PAGE 1 OF 3
<b>STUDER</b> by HARMAN	LAYOUT D23m FRAME 1 Location A Vista X		5040690.X13001

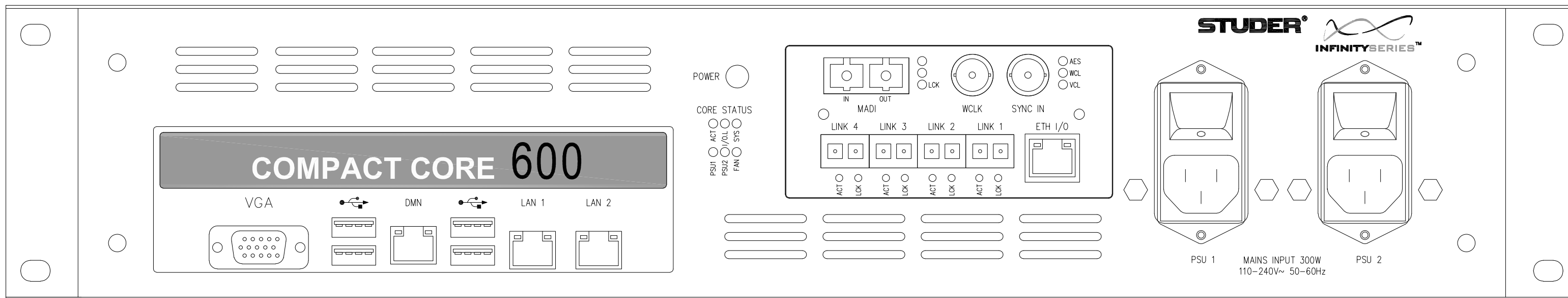



POSITION OF RACK MOUNTING ANGLES:

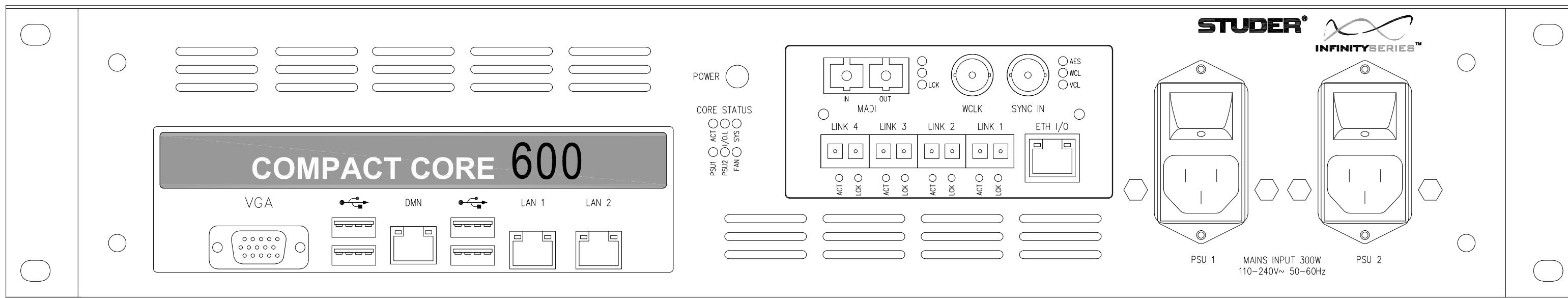
- CONNECTOR SIDE
- LED SIDE


0	1	2	3	4
01.04.20 ZsR				
X130L61D	NET TV/University of Nebraska			PAGE 1 OF 1
<b>STUDER</b> by HARMAN	LAYOUT D21m FRAME 1 Vista X			A949.040082.X13001

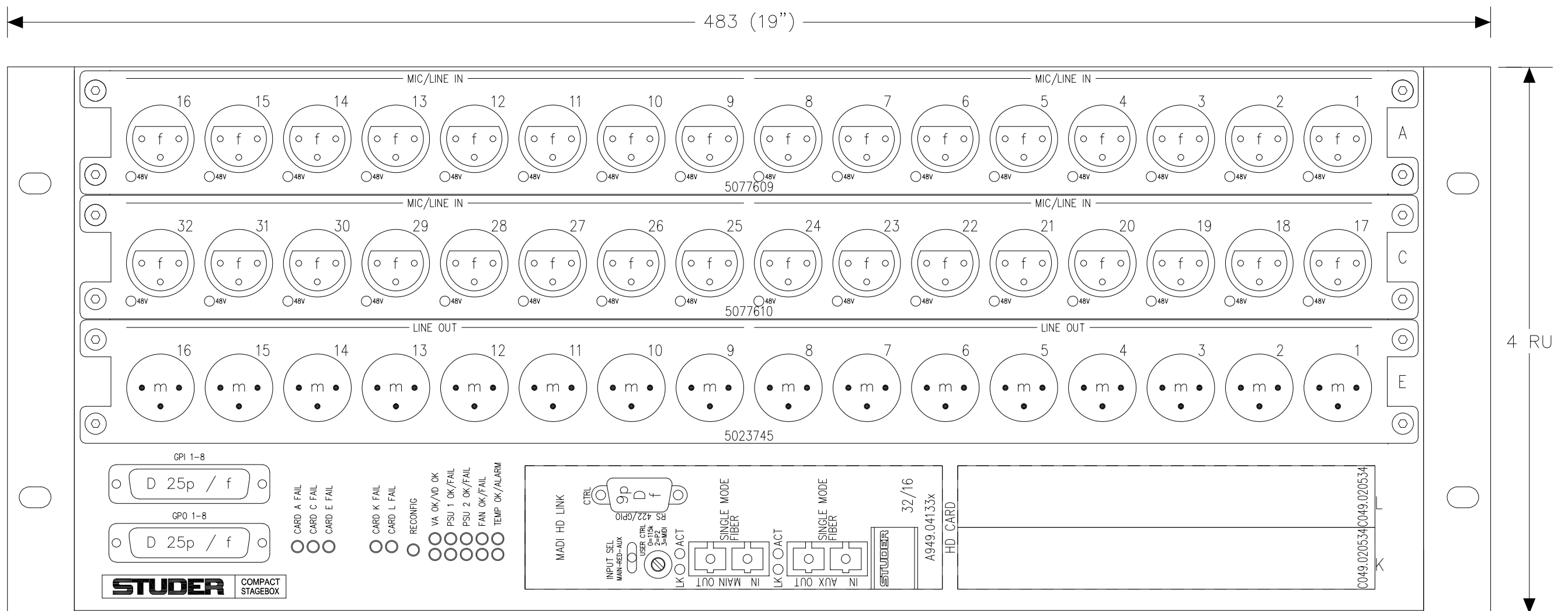




0	01.04.20 ZsR	1	2	3	4
	X130L21C	NET TV/University of Nebraska			PAGE 2 OF 2
	COMPACT INFINITY CORE 600 – 2 Vista X			5092204-00	



① 01.04.20 ZsR	②	③	④
X130L11C	NET TV/University of Nebraska		PAGE 1 OF 2
	COMPACT INFINITY CORE 600 – 1 Vista X		5092204-00



FRAME : 5019804

FRONT VIEW

①	01.04.20 ZsR	②	③	④
X130L71CSB	NET TV/University of Nebraska			PAGE 1 OF 1
<b>STUDER</b> by HARMAN	LAYOUT COMPACT STAGE BOX – 1 Vista X			5019805

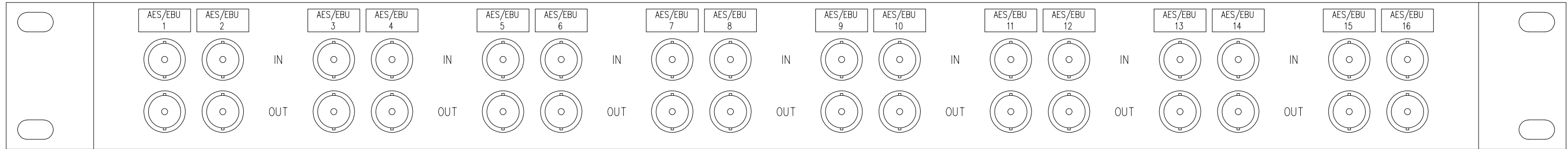
## Cable List

NET TV/University of Nebraska - E949.100000.X130

Nr	Name	Partnumber	Supplier	Drawing	Connector 1	Position/Label	Connector 2	Position/Label	Cable	Type	L/m
	<u>ALINK/OPTICAL</u>										
1	A-LINK	5042827	STUDER		DLC	COMPACT CORE MAIN - I/O-LINK 1	DLC	D23m 1 A-LINK MAIN		MM	5
2	A-LINK	5042827	STUDER		DLC	COMPACT CORE REDUNDANT - I/O-LINK 1	DLC	D23m 1 A-LINK REDUNDANT		MM	5
3	A-LINK	5042827	STUDER		DLC	COMPACT CORE MAIN - I/O-LINK 2	DLC	D23m 2 A-LINK MAIN		MM	5
4	A-LINK	5042827	STUDER		DLC	COMPACT CORE REDUNDANT - I/O-LINK 2	DLC	D23m 2 A-LINK REDUNDANT		MM	5
5	A-LINK	5042827	STUDER		DLC	COMPACT CORE MAIN - I/O-LINK 3	DLC	D23m 3 A-LINK MAIN		MM	5
6	A-LINK	5042827	STUDER		DLC	COMPACT CORE REDUNDANT - I/O-LINK 3	DLC	D23m 3 A-LINK REDUNDANT		MM	5
	<u>MADI/OPTICAL</u>										
201	MADI	5075553	STUDER		LC	D23m 1 MADI 1 MAIN 1	SC	DESK MADI MONITORING		MM	10
202M	MADI	5036300	STUDER		LC	D23m 1 MADI 1 MAIN 2	SC	D21m 1 MADI HD MAIN		SM	5
202A	MADI	5036300	STUDER		LC	D23m 1 MADI 1 AUX 2	SC	D21m 1 MADI HD AUX		SM	5
203M	MADI	5036300	STUDER		LC	D23m 1 MADI 1 MAIN 3	SC	CSB 1 MADI HD MAIN		SM	5
203A	MADI	5036300	STUDER		LC	D23m 1 MADI 1 AUX 3	SC	CSB 1 MADI HD AUX		SM	5
	<u>CONTROL</u>										
111	CAT 5	C054.201058	STUDER		RJ45	COMPACT CORE MAIN - LAN 1	RJ45	DESK LAN SWITCH 1			10
112	CAT 5	C054.201058	STUDER		RJ45	COMPACT CORE MAIN - LAN 2	RJ45	DESK LAN SWITCH 2			10
121	CAT 5	C054.201058	STUDER		RJ45	COMPACT CORE MAIN - CONTROL	RJ45	DESK LAN SWITCH 1			10
113	CAT 5	C054.201058	STUDER		RJ45	COMPACT CORE REDUNDANT - LAN 1	RJ45	DESK LAN SWITCH 1			10
114	CAT 5	C054.201058	STUDER		RJ45	COMPACT CORE REDUNDANT - LAN 2	RJ45	DESK LAN SWITCH 2			10
122	CAT 5	C054.201058	STUDER		RJ45	COMPACT CORE REDUNDANT - CONTROL	RJ45	DESK LAN SWITCH 2			10
	<u>POWER</u>										
401	Power Fan D23m	C089.201167	STUDER		D15pm	D23m1/Fan-Status	D15pf	Fan/Power Fan		15C+Drain	0.23
402	Power Fan D23m	C089.201167	STUDER		D15pm	D23m2/Fan-Status	D15pf	Fan/Power Fan		15C+Drain	0.23
403	Power Fan D23m	C089.201167	STUDER		D15pm	D23m3/Fan-Status	D15pf	Fan/Power Fan		15C+Drain	0.23
404	Power Fan D23m	C089.201167	STUDER		D15pm	D21m1/Fan-Status	D15pf	Fan/Power Fan		15C+Drain	0.23

# D23-2 BREAKOUT PANEL

A949.058600



AUDIO CABLES (8x2 shielded, DB25/DB25) included:  
4 x 0.9m C089.201174

0	01.04.20 ZsR	1	2	3	4
X130L01BRK1	NET TV/University of Nebraska			PAGE 1 OF 1	
<b>STUDER</b> by <b>HARMAN</b>	BREAKOUT PANELS Vista X			E949.100000.X130	